



# Installation procedure.

## 1. Determine Component Location

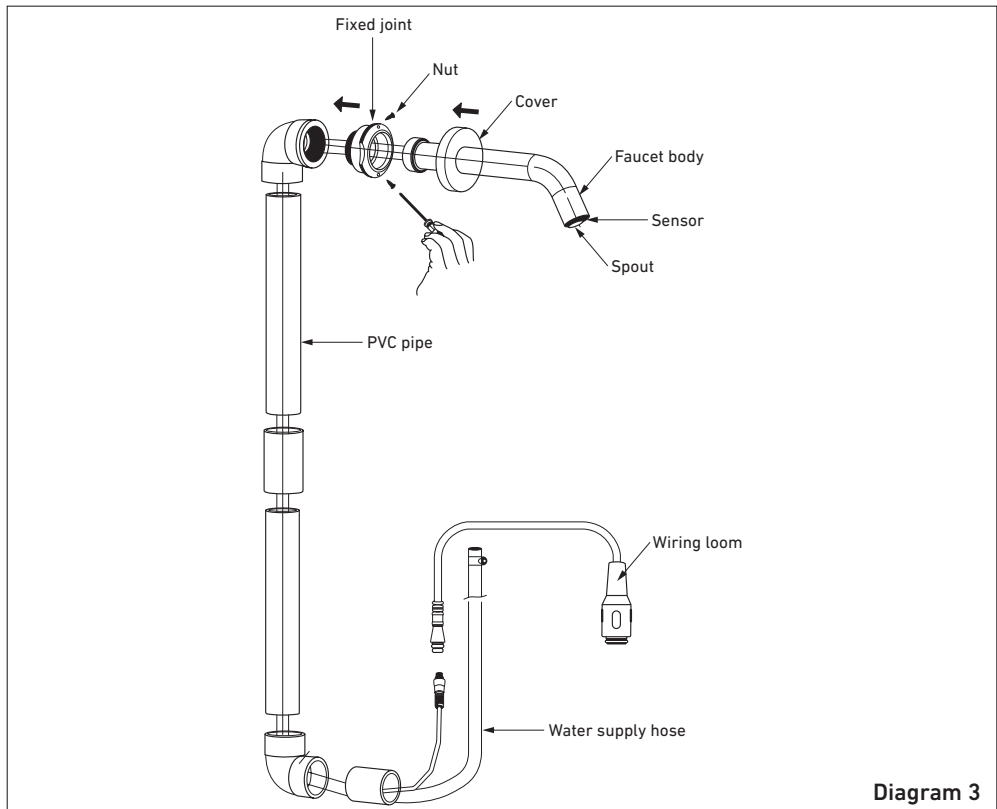
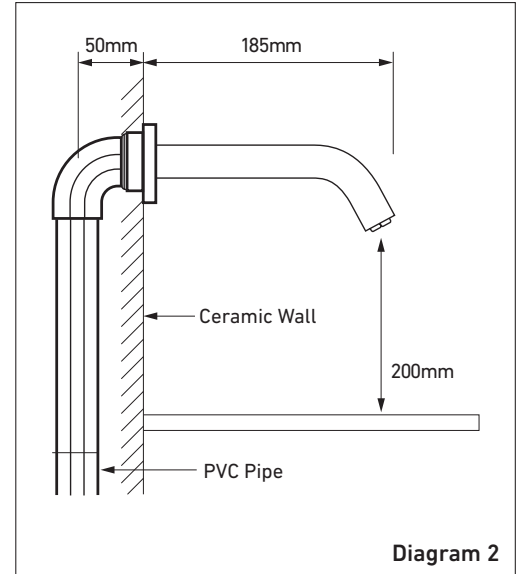
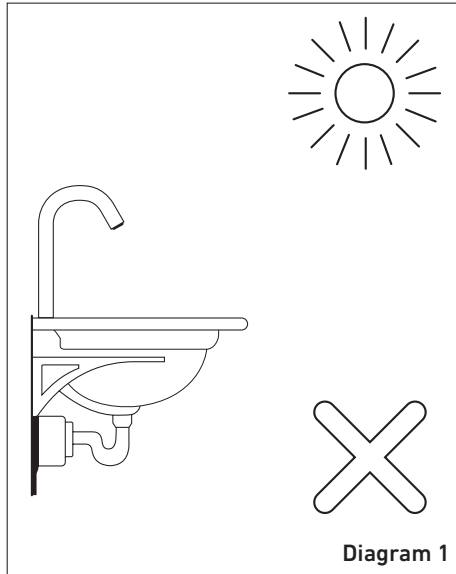
Determine the location of each of the components, taking into account the tube lengths and space available. The installation location should be away from sources of bright light and sunshine. (see Diagram 1)

## 2. Plan Dispense Position

Determine the position of dispenser mounting hole in ceramic wall. Hole size required is 45mm. (see Diagram 2)

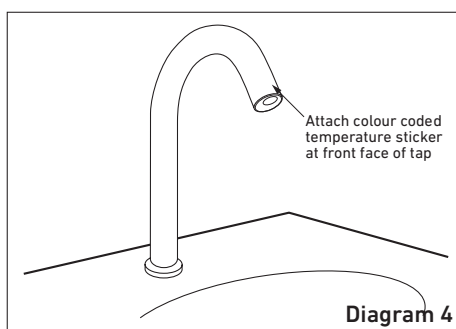
## 3. Fit Tap Base and Faucet Body

- Fit PVC tube inside wall cavity.
- Screw brass nut through wall into PVC fixed joint.
- Thread water supply hose and wiring loom through brass nut and PVC tube.
- Fit tap body to brass nut and tighten grub screws.
- Fit cover over tap body and brass nut. (see Diagram 3)



## —IMPORTANT

Appropriate colour coded sticker compliant to local water regulatory requirements must be attached to front of spout to indicate the water temperature dispensed by the tap. (see Diagram 4)



# Installation procedure.

## 4. Mount Control Box

Control box must be fitted no more than 1100mm from tap. Transformer power supply lead is 1300mm long. Attach control box to wall using 4 supplied wall plugs and screws. (see Diagram 5)

## 5. Control Box Connections

- Attach gasket and hose adaptor to water outlet.
- Fit tap supply hose to hose adaptor and secure with spring clamp.
- Attach wiring loom to 4 pin electrical socket and finger tighten locking ring.
- Attach a 1/2" mains water connection (max 700kpa) to water inlet. (see Diagram 6)

## 6. Power Supply Connection

Connect small 2 pin transformer plug to 2 pin socket lead on control plug. Plug transformer into standard 240V 10A wall outlet and switch on.

## 7. Commissioning

- Turn water supply on and check for leaks.
- Wipe clean sensor window on spout. (see Diagram 7)
- Press red 'Distance Detect' button on side of control box. This will allow the unit to adjust to light conditions in the installed location. You may hear the solenoid valve operating during this procedure. (see Diagram 8)
- Test operation by placing hands under tap. Water should flow within 0.5 seconds of detecting hands. (see Diagram 9)
- Move hands away from tap. Water supply should stop within 0.5 seconds. (see Diagram 10)

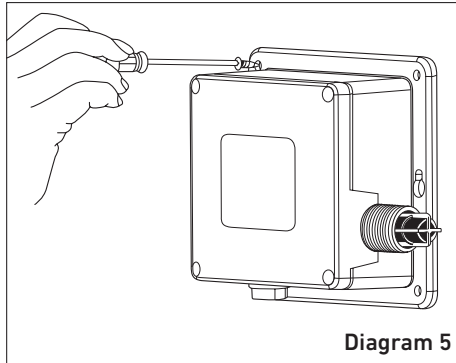


Diagram 5

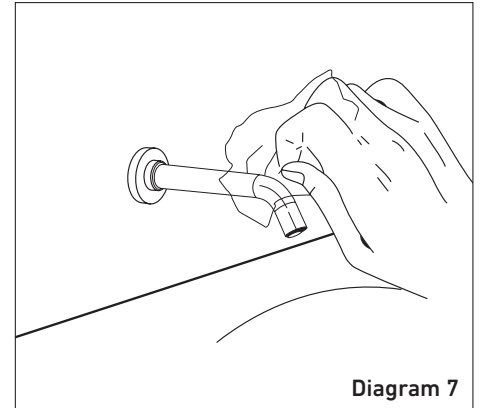


Diagram 7

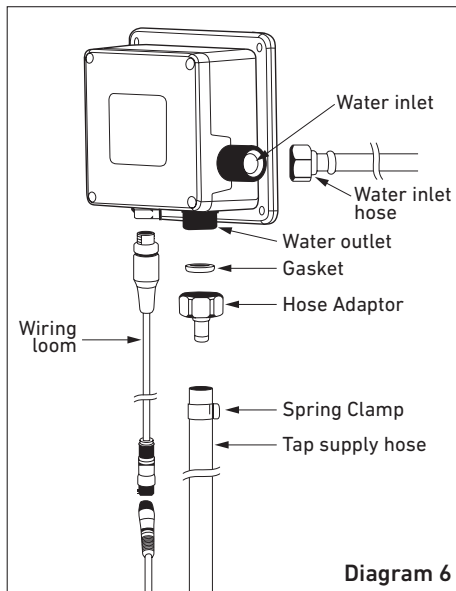


Diagram 6

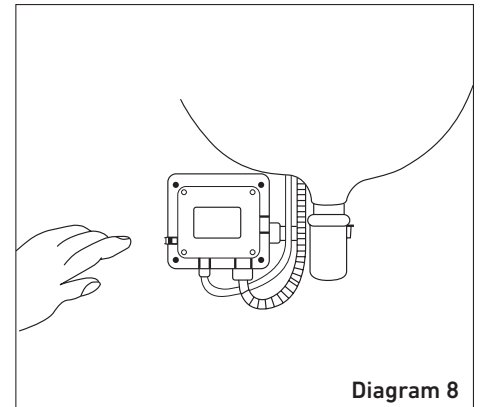


Diagram 8

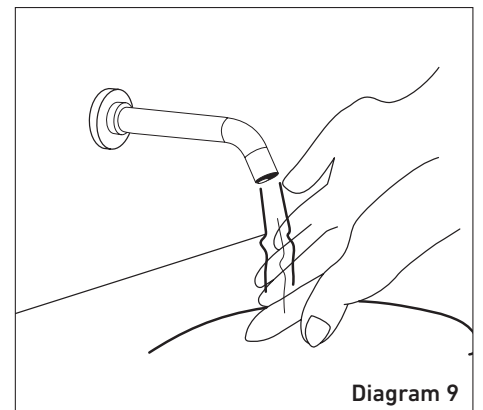


Diagram 9

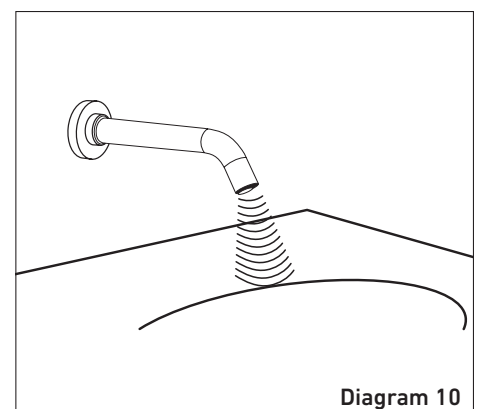


Diagram 10

# Troubleshooting.

<b>FAULT</b>	<b>CAUSE</b>	<b>ACTION</b>
No water	<ul style="list-style-type: none"><li>– Water supply cut off</li><li>– Dirt in the filter</li><li>– Water pressure too low</li></ul>	<ul style="list-style-type: none"><li>– Check water supply</li><li>– Check filter (located in water inlet fitting)</li><li>– Raise pressure</li></ul>
Water will not turn off	<ul style="list-style-type: none"><li>– Sensor window dirty</li></ul>	<ul style="list-style-type: none"><li>– Clean sensor window</li></ul>
Too little water flow	<ul style="list-style-type: none"><li>– Water supply restricted</li><li>– Dirt in the filter</li><li>– Water pressure too low</li></ul>	<ul style="list-style-type: none"><li>– Check water supply</li><li>– Check filter</li><li>– Raise pressure</li></ul>
Too much water flow	<ul style="list-style-type: none"><li>– Water supply turned on too high</li><li>– Water pressure too high</li></ul>	<ul style="list-style-type: none"><li>– Adjust supply</li><li>– Adjust pressure</li></ul>
Indicator light not on	<ul style="list-style-type: none"><li>– PCB or wiring loom wet</li></ul>	<ul style="list-style-type: none"><li>– Dry components</li></ul>

**Billi Australia Pty Ltd**  
42 Lucknow Crescent, Thomastown  
Victoria 3074 Australia

Telephone +61 3 9469 0400  
Facsimile +61 3 9469 0499

[www.billi.com.au](http://www.billi.com.au)

Designed and manufactured in  
Australia.

As Billi Australia Pty Ltd has a policy of continual improvement, all details are subject to change without notice. All goods are sold subject to our published terms and conditions. Billi is a registered trademark. 0618