



# Elkay® SwirlFlo Bi-Level Fountain with Integral EZH2O Bottle Filling Station

Product Code: LZWS-LRPBM28K



The Elkay SwirlFlo EZH2O is the ultimate multi-functional public-use drinking fountain water station for indoor environments. The design features a bottle refill dispenser, as well as bi-level drinking fountains, wrapped in an elegant, streamlined in-wall stainless steel case.

The sanitary no-touch activation sensor has a 20 second shut off timer and the Green Ticker counts the number of bottles saved from waste. The station also features an 11356-litre capacity WaterSentry® Plus filtration system with visual LED Filter Monitor, which indicates when replacement is necessary.

**Product features**

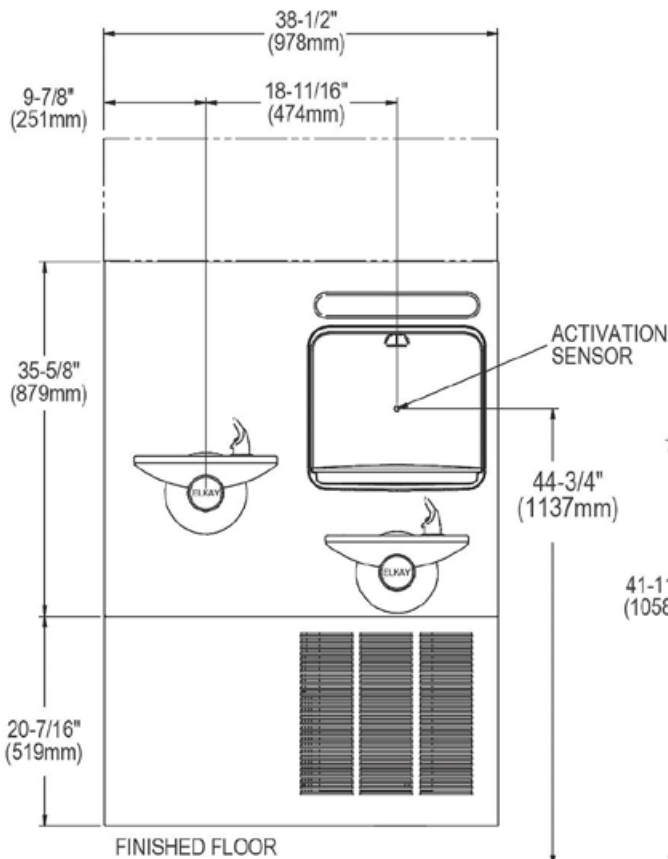
- Bi-level refrigerated fountains
- Integral bottled filler
- Wheelchair-accessible design
- Sanitary no-touch sensor activation
- Green Ticker™ counts bottles saved from waste
- WaterSentry® filtration system
- Up to five year warranty\*

**Technical Details**

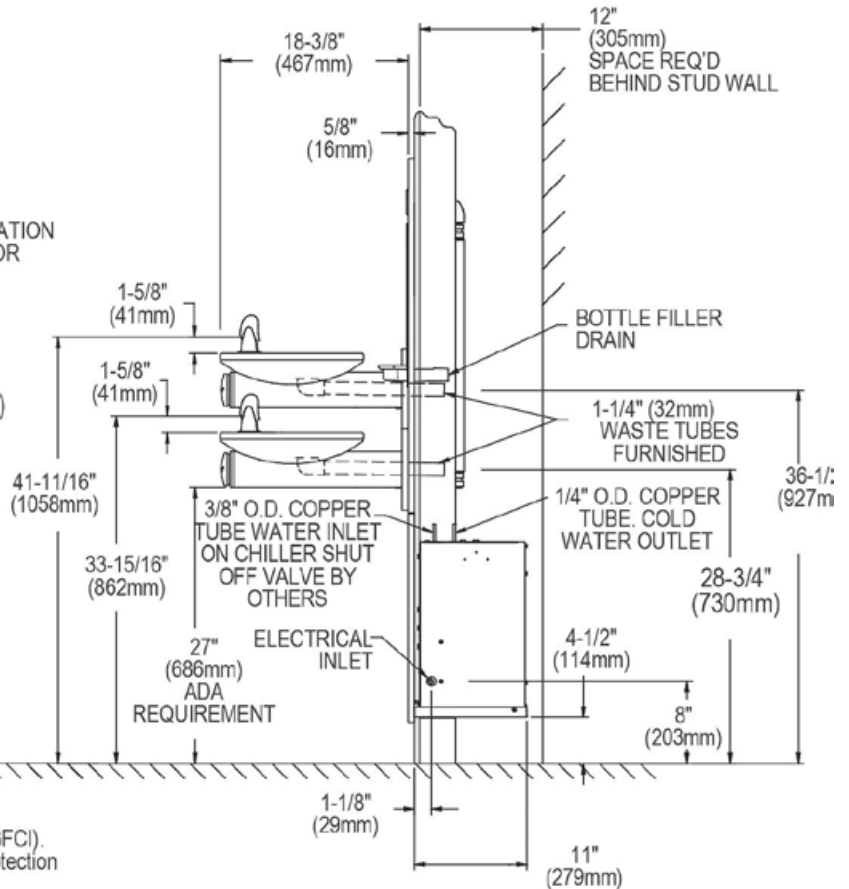
Finish	Stainless steel
Power	230V/50Hz
Drinking Fountain Style	SwirlFlo with Flexi-Guard Safety
Mounting Option	Wall Mount (in wall frame plate)
Chilling Option	25 LPH **
Dimensions	990 L x 423 W x 382mm H
Shipping Weight	78.5kg

\*A full 5-year warranty on the compressor and hermetically sealed refrigeration systems, and 24-month parts and labour warranty on all other components

\*\* Based on a 26°C inlet water temperature and a room temperature of 32°C



Front view



Side view (section through wall)

NOTE : New Installations Must Use Ground Fault Circuit Interrupter (GFCI). It is highly recommended that the circuit be dedicated and the load protection be sized for 20 amps.