



The Elkay Vandal-Resistant EZH2O is a filtered and chilled drinking fountain and bottle refill station featuring an extra heavy-duty wall-mounted design suitable for both outdoor and indoor applications.

The unit quickly delivers a smooth water bottle fill whilst enhancing sustainability by reducing the user's dependency on disposable plastic bottles. The EZH2O bottle refill outlet is push button activated with an automatic 20-second shut off timer, while the built in Green Ticker counts the quantity of bottles saved from waste.

Product features

- Vandal resistant cooler and bottle filling station
- Push button activation
- Filtered & refrigerated water
- Quick fill rate
- Wheel-chair accessible design
- WaterSentry Plus filtration with visual LED filter monitor
- Up to five year warranty*

Technical Details

Material & Finish	Stainless steel
Power	230V/50Hz
Drinking fountain style	Vandal Resistant
Mounting option	Wall Mount (on wall)
Chilling option	Refrigerated (as standard) 25LPH**
Filter option	Filtered (as standard)

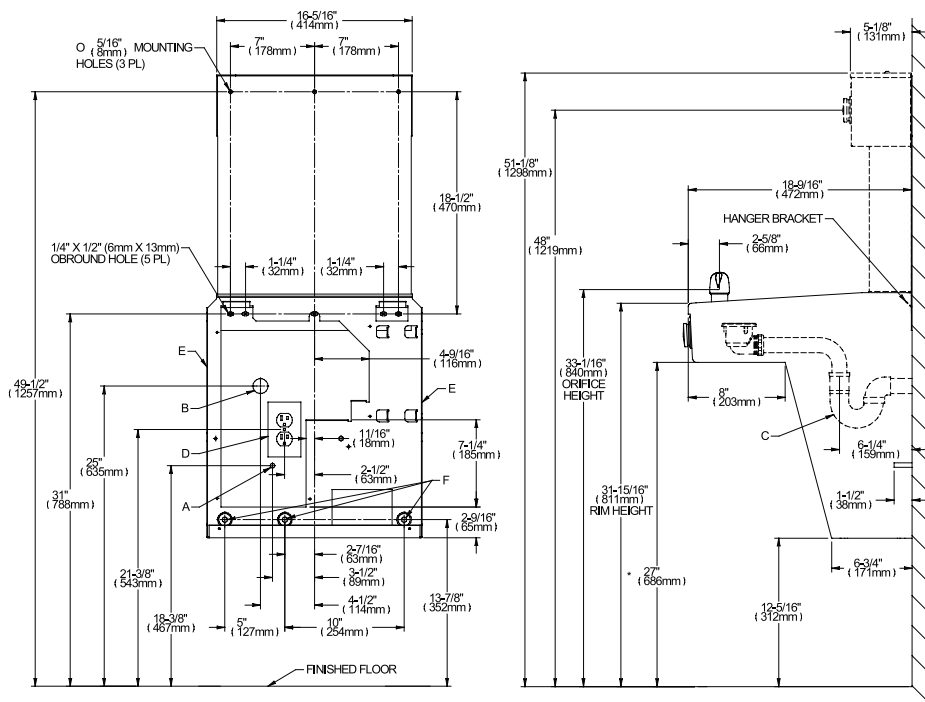
Dimensions	L: 45.7cm
	W: 47.3cm
	H: 98.6cm

Shipping weight 41 kg



*A full 5-year warranty on the compressor and hermetically sealed refrigeration systems, and 24-month parts and labour warranty on all other components

** Based on a 26°C inlet water temperature and a room temperature of 32°C



* REDUCE HEIGHT BY 3" FOR INSTALLATION OF CHILDRENS ADA COOLER